

all rights reserved

GVWR 850kg - 1350kg

by: Piotr Goral

model year 2023

CarbonTear MK I [®]

GR

GRAVEL



all rights reserved

GVWR 850kg - 1350kg

by: Piotr Goral

model year 2023

CarbonTear MK I [®]

GR

GRAVEL



all rights reserved

GVWR 850kg - 1350kg

by: Piotr Goral

model year 2023

CarbonTear MK I [®]

GR

GRAVEL



all rights reserved

GVWR 850kg - 1350kg

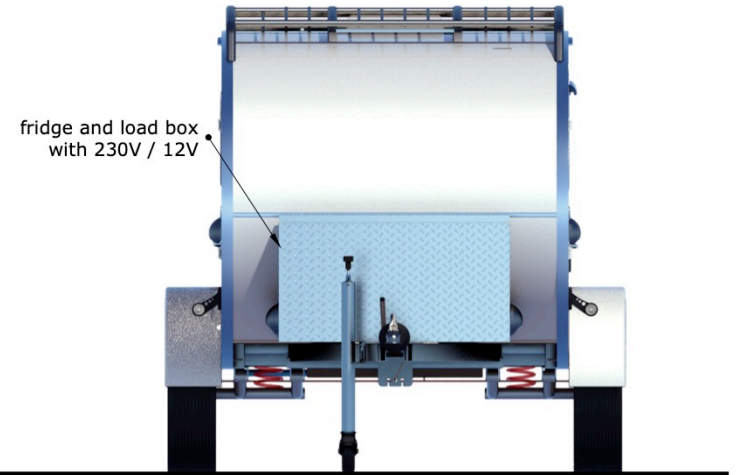
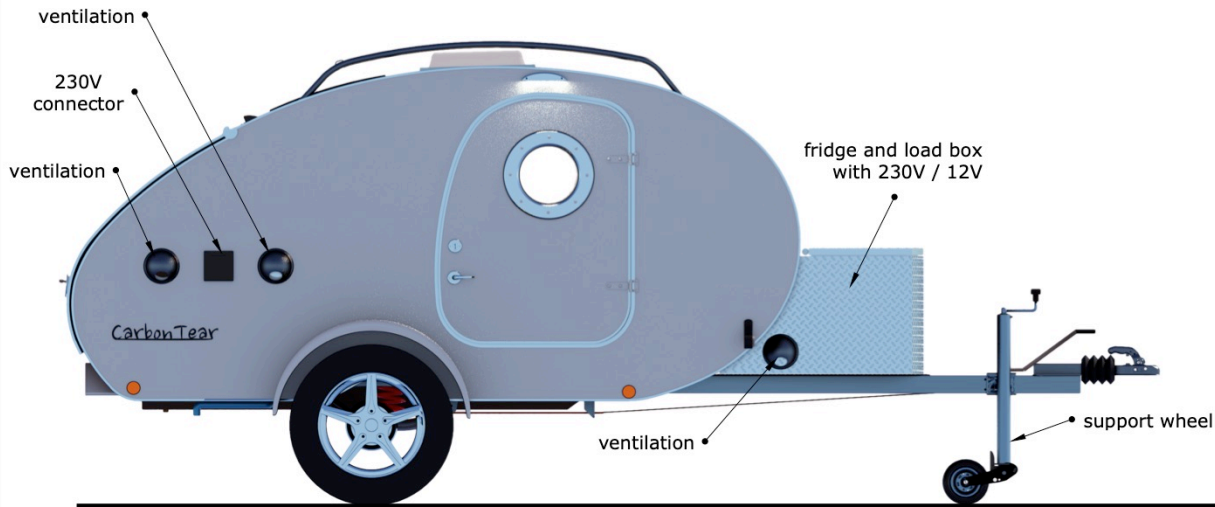
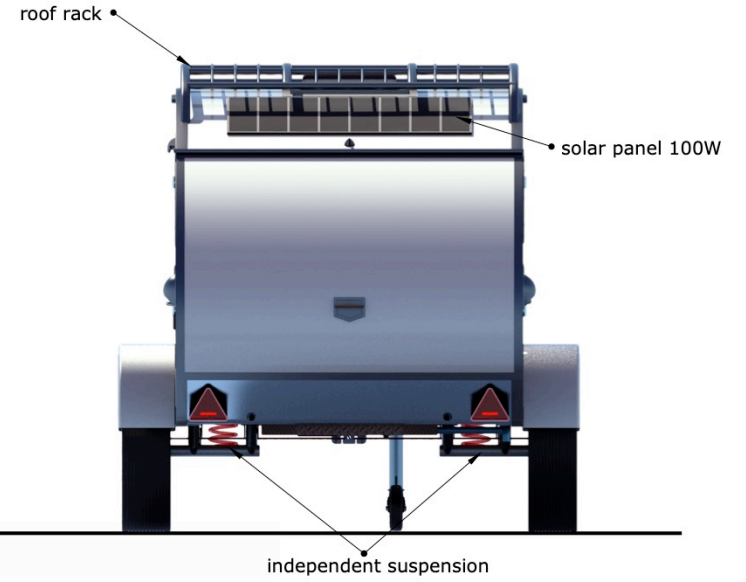
by: Piotr Goral

model year 2023

CarbonTear MK1[®]

GR

GRAVEL



all rights reserved

GVWR 850kg - 1350kg

by: Piotr Goral

model year 2023

CarbonTear MK1 [®]

GR

GRAVEL

total length - 4780 mm
total width - 2040 mm
total height - 2040 mm
ride height - 400 mm

cabin length - 2040 mm
cabin width - 1510 mm
cabin height - 1180 mm



all rights reserved

dimensions

GR

by: Piotr Goral

model year 2023

CarbonTear MK I [®]

GRAVEL

total length - 4780 mm
total width - 2040 mm
total height - 2040 mm
ride height - 400 mm

cabin length - 2040 mm
cabin width - 1510 mm
cabin height - 1180 mm



all rights reserved

dimensions

CarbonTear MK I [®]

GR

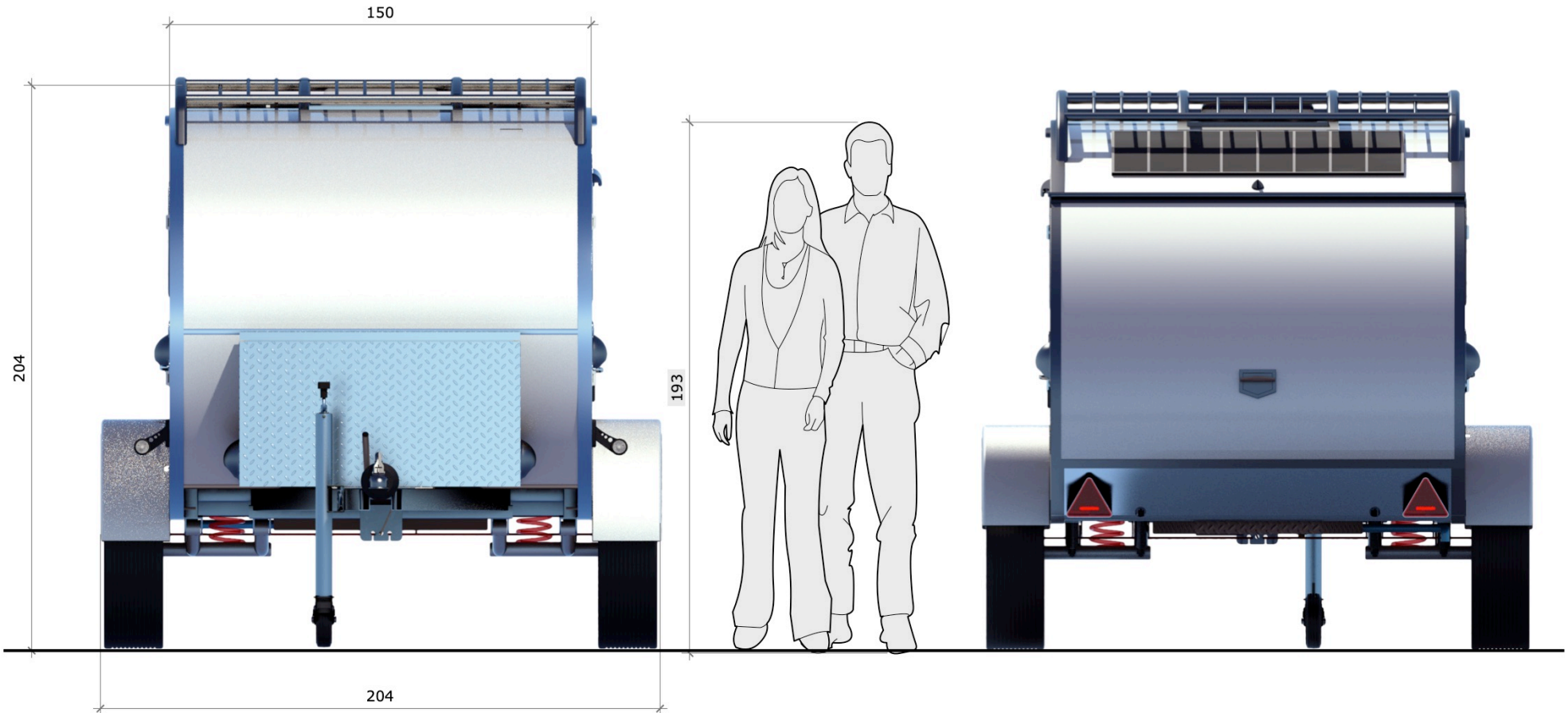
by: Piotr Goral

model year 2023

GRAVEL

total length - 4780 mm
 total width - 2040 mm
 total height - 2040 mm
 ride height - 400 mm

cabin length - 2040 mm
 cabin width - 1510 mm
 cabin height - 1180 mm



all rights reserved

dimensions

GR

by: Piotr Goral

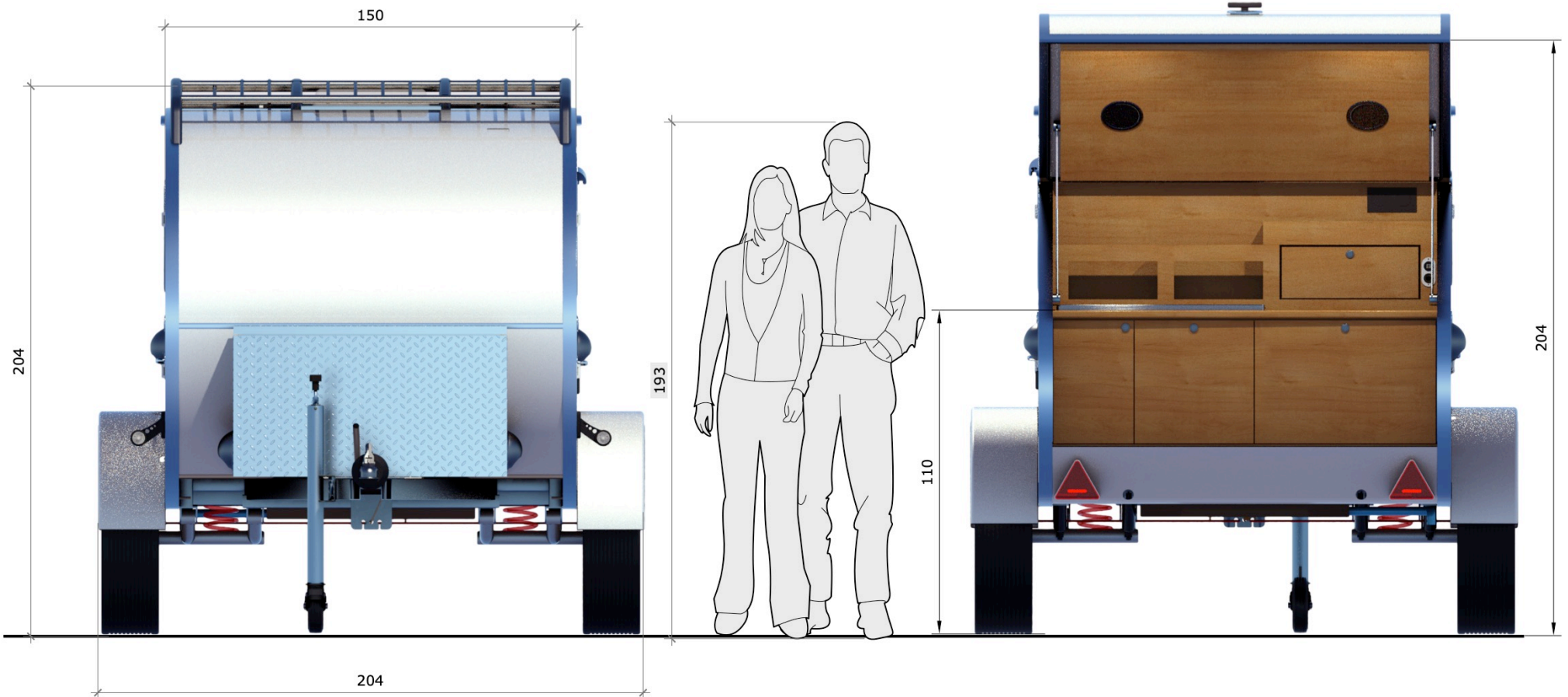
model year 2023

Carbondtear MK I [®]

GRAVEL

total length - 4780 mm
 total width - 2040 mm
 total height - 2040 mm
 ride height - 400 mm

cabin length - 2040 mm
 cabin width - 1510 mm
 cabin height - 1180 mm



all rights reserved

dimensions

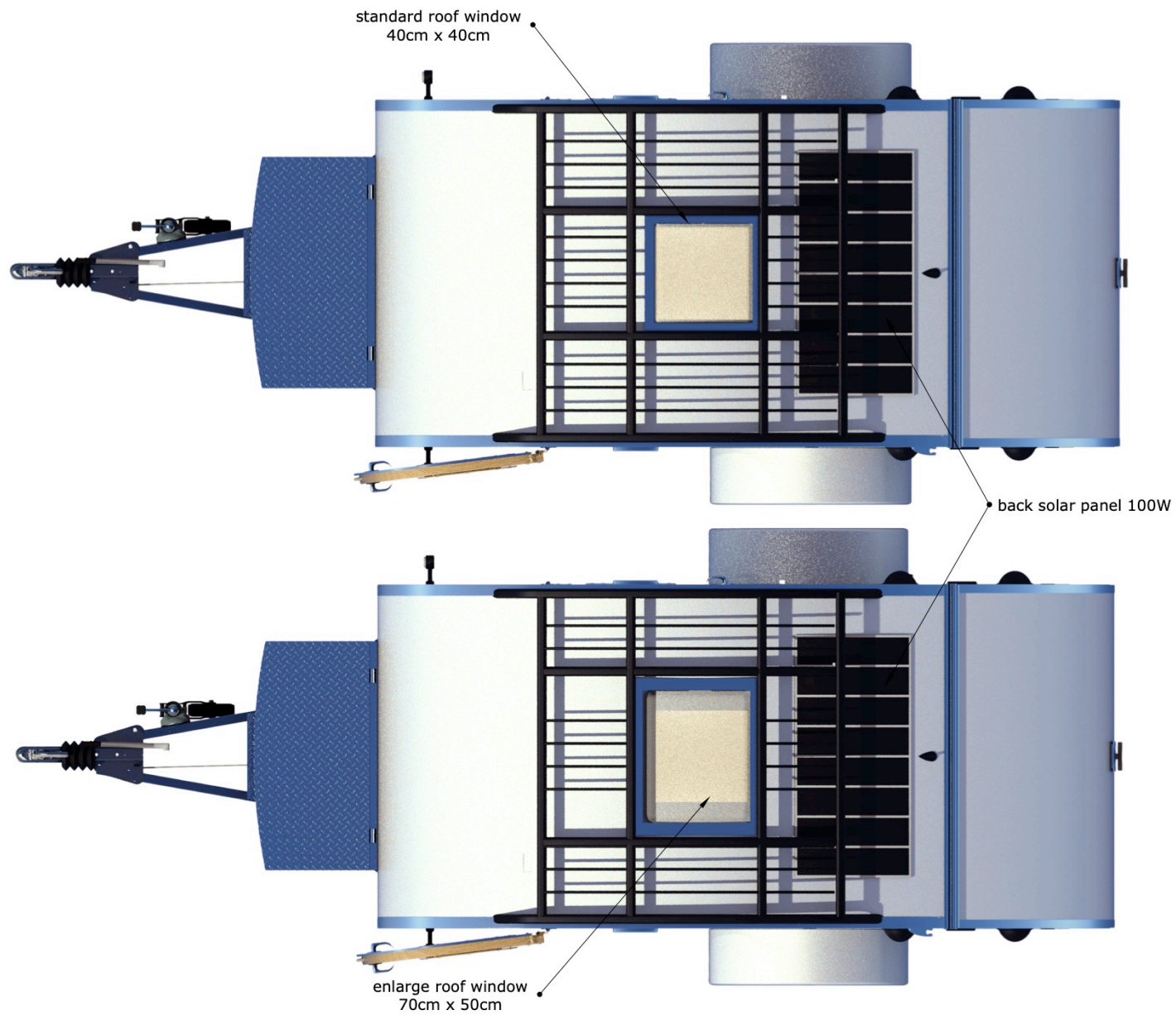
by: Piotr Goral

model year 2023

Carbondtear MK I [®]

GR

GRAVEL



all rights reserved

roof windows

®

GR

by: Piotr Goral

model year 2023

Carbontear MK I

GRAVEL



10 cm materace 200cm x 140cm

protection net

kid bed 140cm x 60cm

200

420

990

140

193

gas stove

sink

all rights reserved

sleeping room

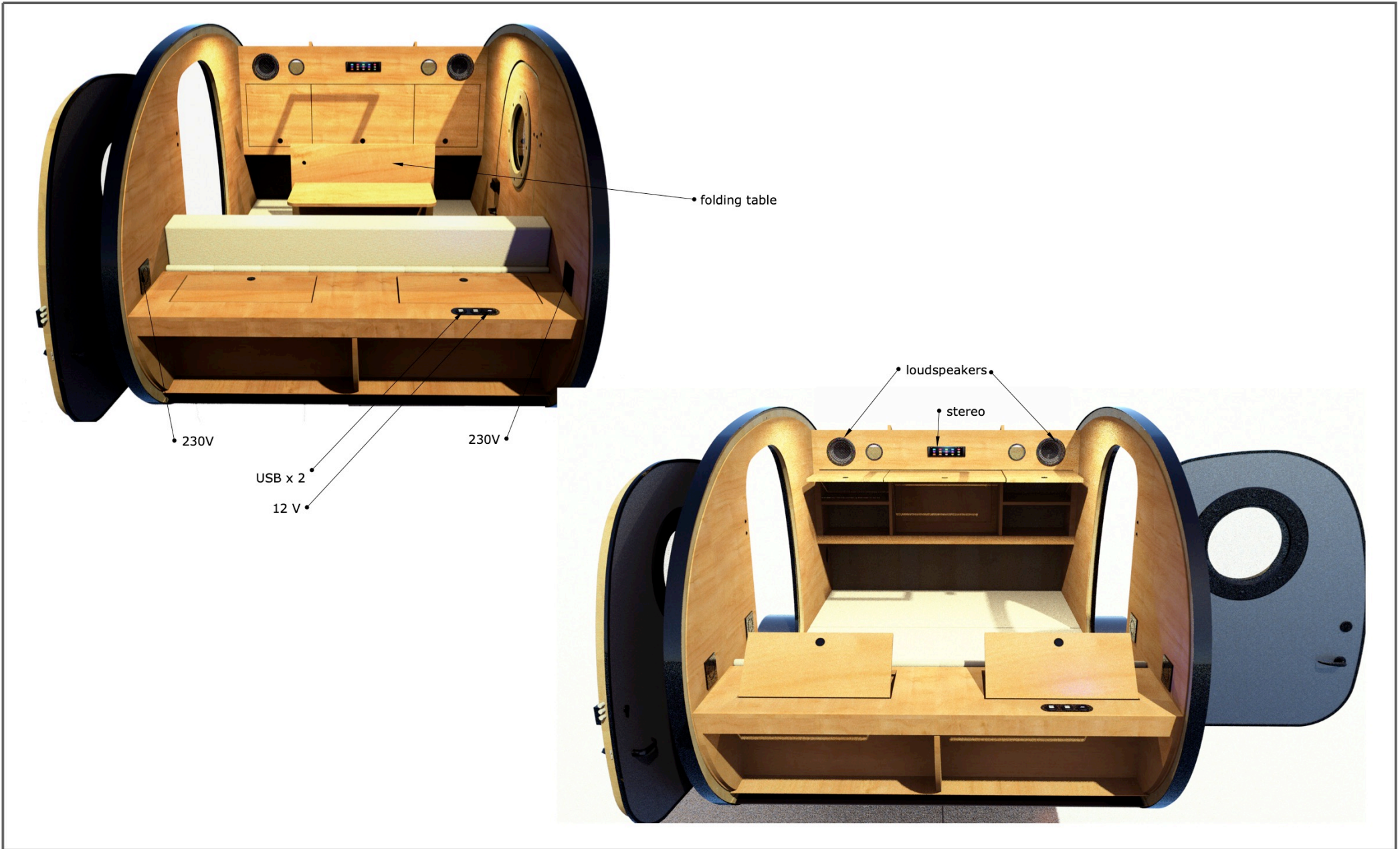
by: Piotr Goral

model year 2023

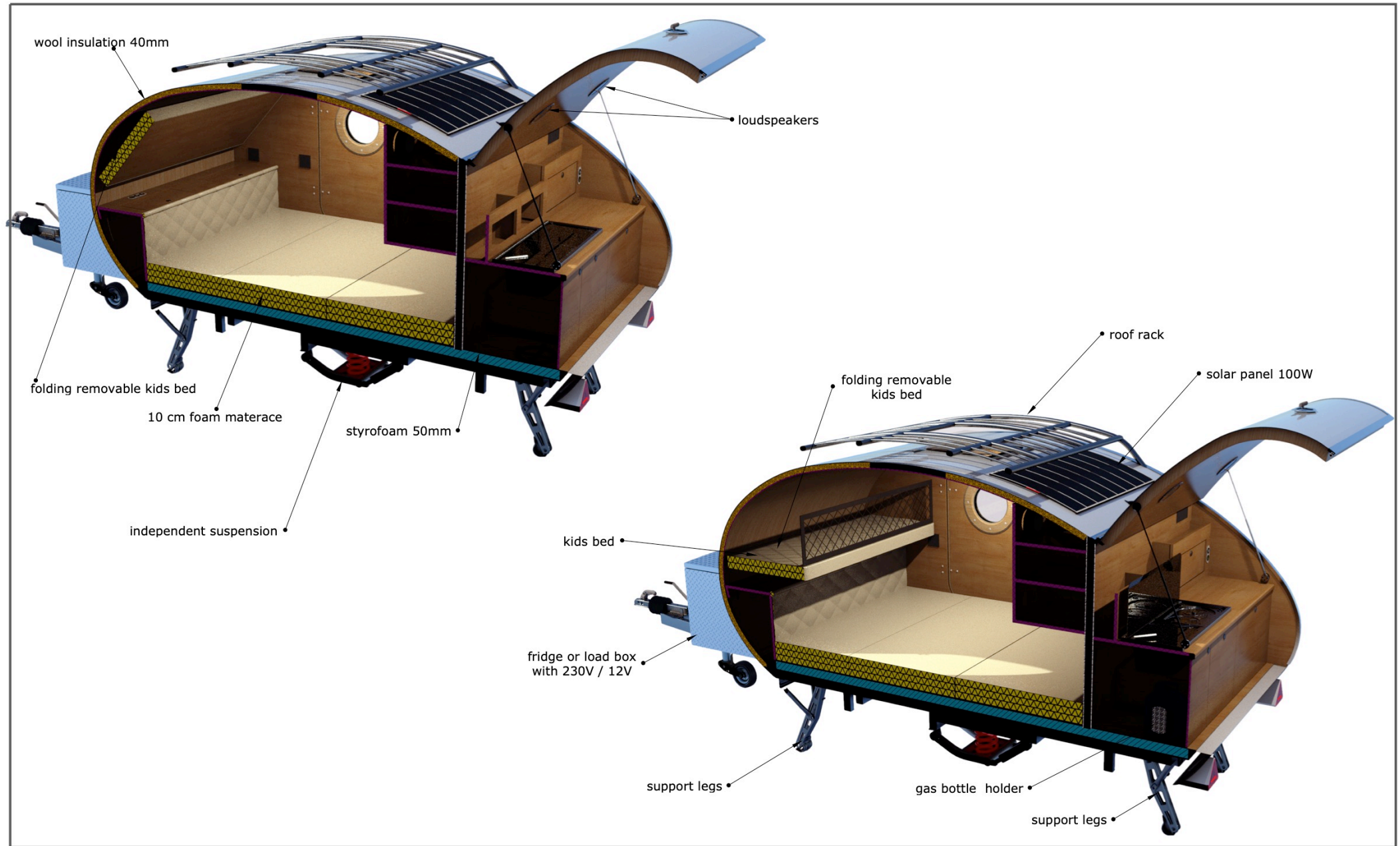
Carbontear MK I [®]

GR

GRAVEL



all rights reserved	sleeping room	Carbondtear MK I [®]	GR
by: Piotr Goral	model year 2023		GRAVEL



all rights reserved

A-A cut

®

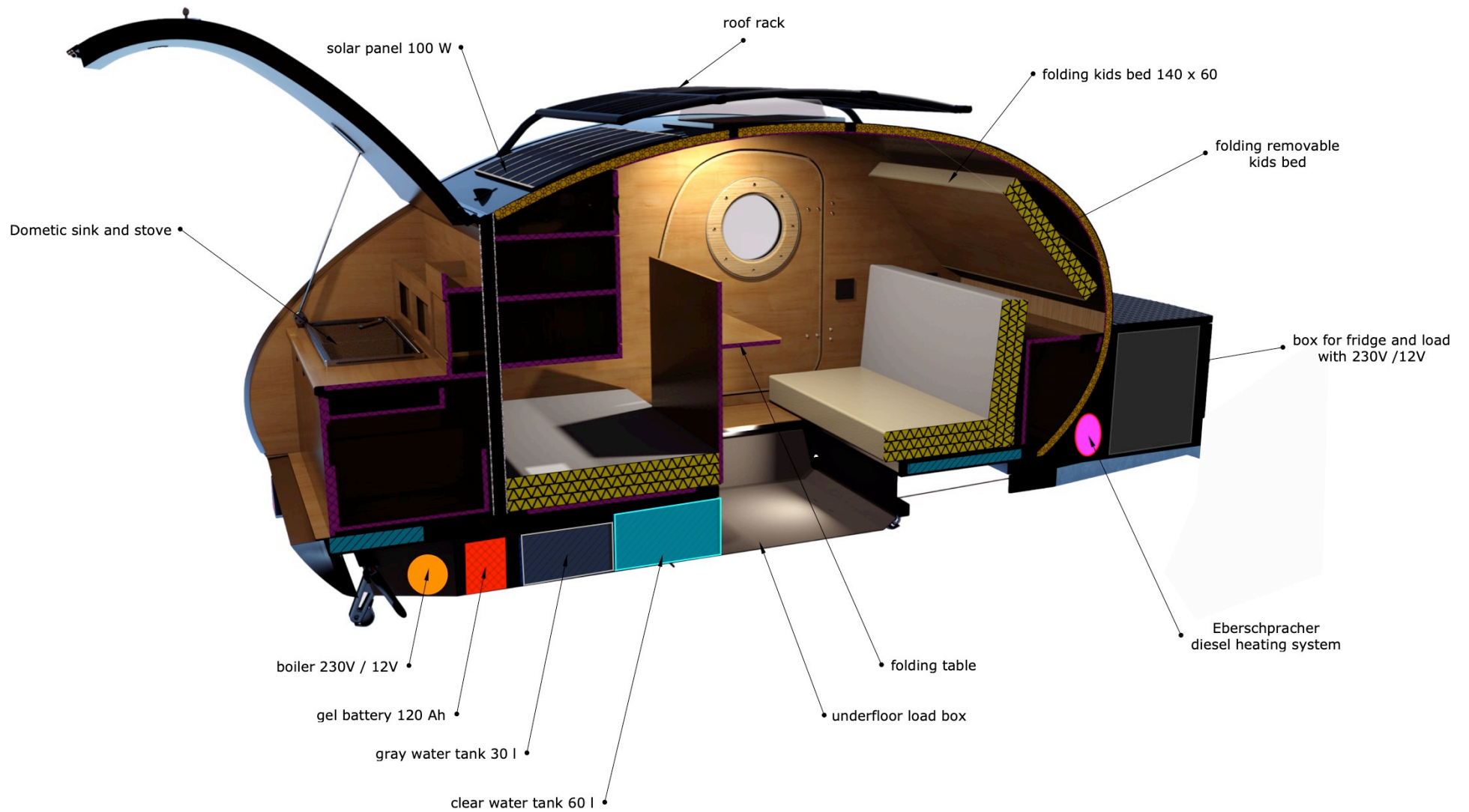
GR

by: Piotr Goral

model year 2023

Carbondtear MK I

GRAVEL



all rights reserved

A-A cut

Carbontear MK I [®]

GR

by: Piotr Goral

model year 2023

GRAVEL



gas bottle not included

all rights reserved

kitchen

by: Piotr Goral

model year 2022

Carbontear MK I [®]

GR

GRAVEL



awnings and kitchen tent not included

all rights reserved

kitchen tent and awning

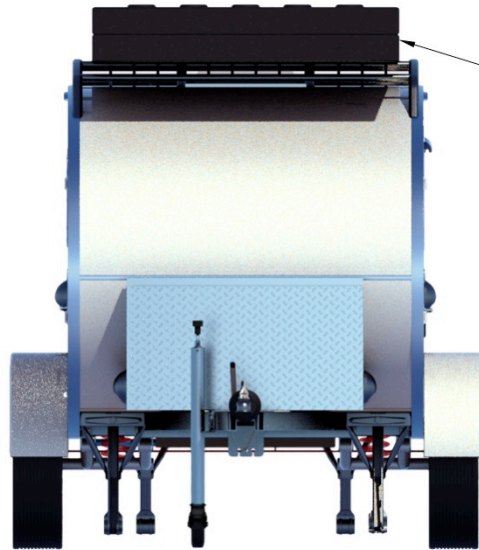
by: Piotr Goral

model year 2022

CarbonTear MK1[®]

GR

GRAVEL



• roof tent



• roof tent



• roof tent

roof tent not included

all rights reserved

roof tent

GR

by: Piotr Goral

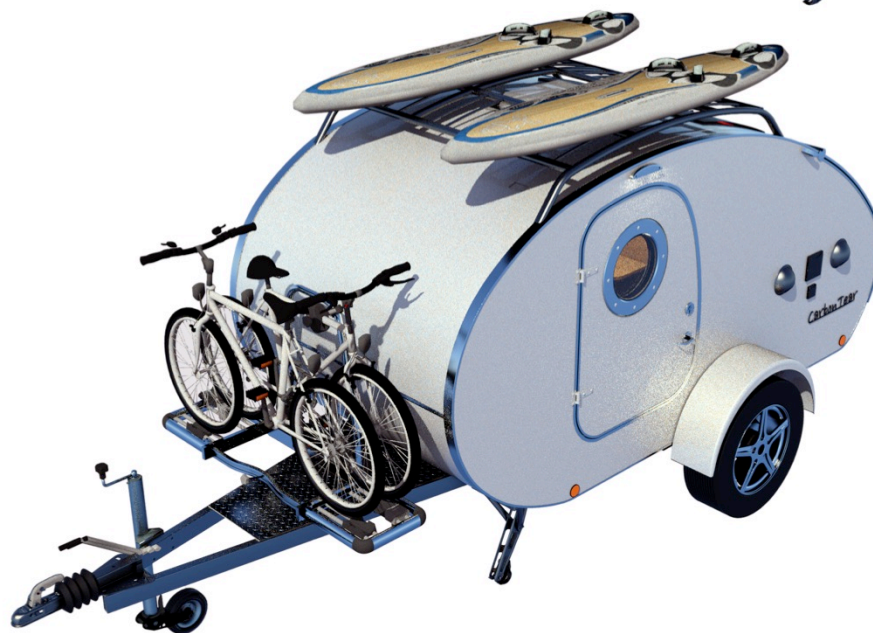
model year 2022

CarbonTear MK1[®]

GRAVEL



standard tow hook
for bike rack



bikes and surfing not included

all rights reserved

bikes and surfing

by: Piotr Goral

model year 2022

CarbonTear MK1[®]

GR

GRAVEL



aluminium boat



boat not included

all rights reserved

aluminium boat

by: Piotr Goral

model year 2023

CarbonTear MK1[®]

GR

GRAVEL



all rights reserved

body colours

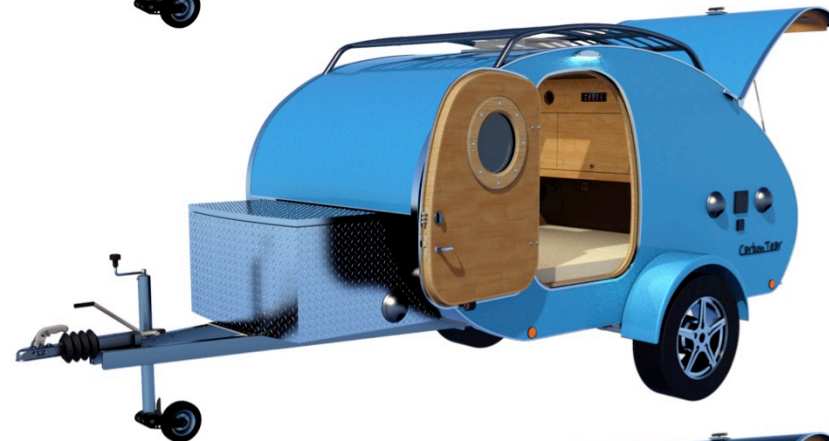
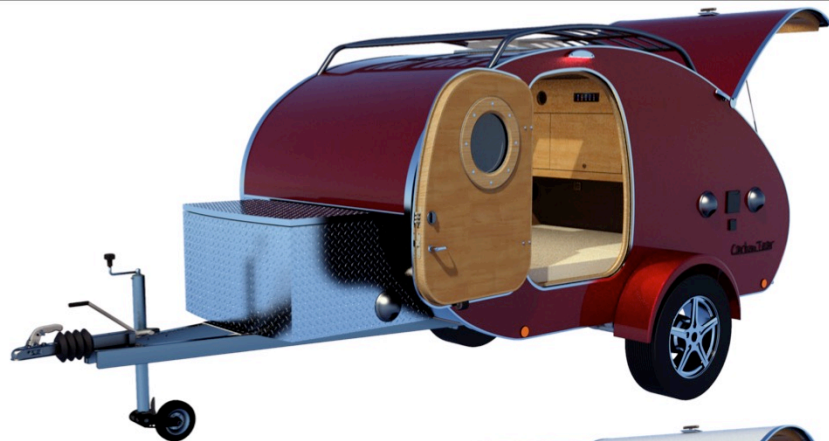
GR

by: Piotr Goral

model year 2023

Carbontear MK I [®]

GRAVEL



all rights reserved

body colours

by: Piotr Goral

model year 2023

CarbonTear MK 1[®]

GR

GRAVEL

textile upholstery



all rights reserved

upholstery

by: Piotr Goral

model year 2023

Carbontear MK I [®]

GR

GRAVEL



Anzio Split Black



Anzio Split Polar



Anzio Split Polished



Yokohama BluEarth
All Season
215/55/R17



Pirelli Cinturato
All Season
215/55/R17



Dunlop Grandtrek
All Terrain
265/65/R17

all rights reserved

rims and tyres

by: Piotr Goral

model year 2023

Carbontear MK I [®]

GR

GRAVEL

STANDARD Specification: 21 200 Euro

- chassis steel covered by zink
- body construction ash wood frame
- independent suspension with brakes
- alloy rims 16 " / 17"
- spare wheel
- supporting feet x 4
- interior finishing – oak veneer
- materace with upholstery
- external wall finishing wrap foil
- roof finishing wrap foil
- details, finishing stripes brushed aluminium
- led lights x 6
- sleeping room furnishing with oak veneer
- kitchen furnishing with oak veneer
- folding table in the floor
- opening skylight 40cm / 40cm
- 12V/230V electrics
- external 230V connector
- 110W solar panel
- 120Ah gel battery
- audio system with 4 speakers
- 12/230 V boiler combo
- 12V charge socket x 2
- USB port x 4
- Dometic 2 stove kitchen with sink
- gas bottle holder
- roof rack 150 kg
- water tank 60 l gray water
- water tank 30 l clear water
- external shower connector with shower device
- front box on drawbar with 230V / 12V sockets

STANDARD	21 200 Euro
----------	-------------

Options:

Eberschpracher heating system with remote control	1 600 Euro
kids bed 140cm x 60cm	400 Euro
awnings THULE OMNISTOR 260cm x 260cm	1 300 Euro
awnings DOMETIC 260cm x 260cm	800 Euro
enlarge roof widow Dometic 70cm x 50cm	350 Euro
coupling device with stabilizer	320 Euro
Dometic fridge 31 l	850 Euro
roof tent basic	1 750 Euro
cutlery drawer	65 Euro
hook for bicycle rack on towbar	320 Euro
Hook for bicycle rack on back side	540 Euro
roof boat holder	340 Euro

Price for STANDARD excluded VAT tax 21 200 Euro

loco: Lublin Poland

time of manufacturing 12 weeks months from order

all rights reserved	specification	CarbonTear MK I [®]	GR
by: Piotr Goral	model year 2023		GRAVEL